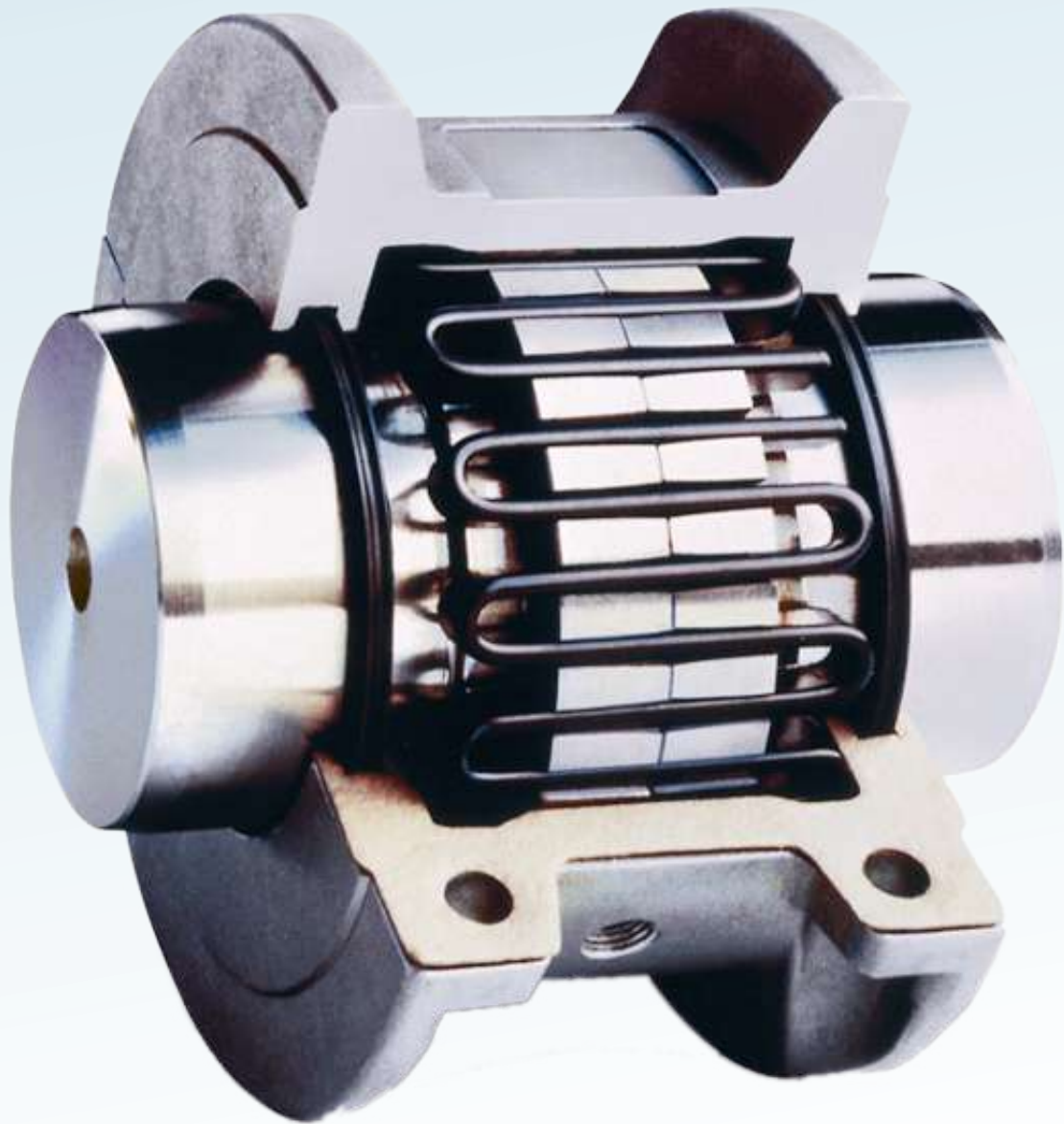




AN ISO 9001 : 2015
CERTIFIED COMPANY

BONNA-FLEX[®]

RESILIENT COUPLINGS



Manufacturer & Exporter :

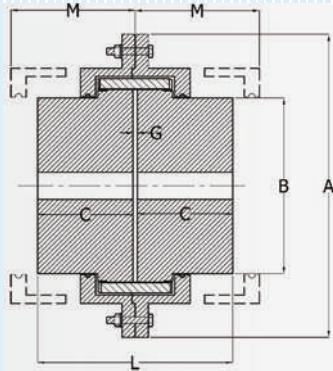
HASMUKHLAL & BROTHERS



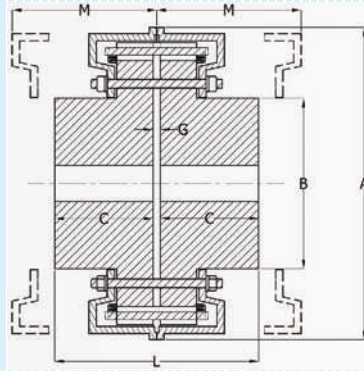


AN ISO 9001 : 2015
CERTIFIED COMPANY

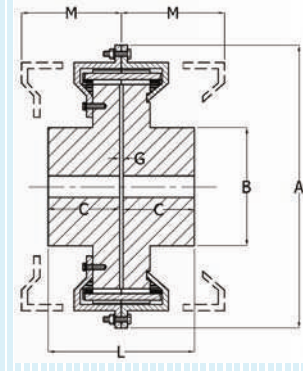
BONNA-FLEX™



SIZE - 01 TO 17



SIZE - 20 TO 22



SIZE - 25 TO 28

Resilient Couplings:

◆ ASDFASDF

- ◆
- ◆

Technical Details

◆ ASDFASDFASDF

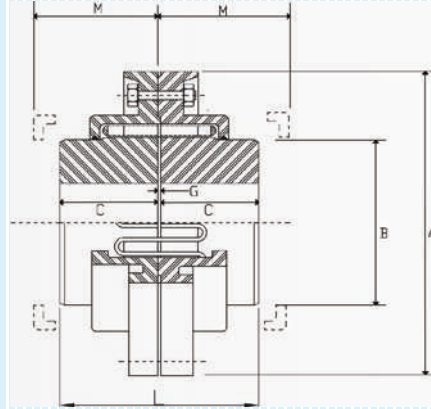
- ◆
- ◆
- ◆

RESILIENT (GRID) COUPLING

SIZE	Torque	Max. RPM	BORE		ØA	ØB	C	G	L	M	Approx Weight Kg
			MIN.	MAX.							
FGFC - 01	52	5800	10	29	105	43	38	0.80	76.8	53	3
FGFC - 02	150	5000	12	38	120	55	38	0.80	76.8	53	4
FGFC - 03	435	4500	16	42	144	60	45	0.80	90.8	60	5
FGFC - 04	995	3500	16	58	172	85	51	0.80	102.8	60	9
FGFC - 06	1000	3300	16	58	190	84	51	0.80	102.8	80	11
FGFC - 07	1950	3100	16	65	197	95	57	0.80	114.8	80	16
FGFC - 08	2150	2600	25	80	222	115	64	0.80	128.8	80	20
FGFC - 09	6200	2300	25	95	254	140	70	0.80	140.8	81	27
FGFC - 10	9300	2000	25	110	276	160	89	0.80	178.8	81	43
FGFC - 11	9500	1900	38	104	295	153	102	1.60	205.6	129	54
FGFC - 13	13700	1800	50	124	324	185	102	1.60	204.6	148	63
FGFC - 14	14100	1600	50	124	336	180	102	1.60	204.6	148	72
FGFC - 15	19900	1400	50	148	375	220	114	1.60	229.6	148	104
FGFC - 17	28500	1200	50	170	425	250	127	1.60	255.6	148	149
FGFC - 20	51000	1200	75	155	432	236	140	3.20	283.2	180	225
FGFC - 22	67000	1100	85	170	492	260	152	3.20	308.2	180	310
FGFC - 25	68300	1000	110	190	686	285.7	178	3.20	359.2	210	408
FGFC - 26	68500	1000	135	210	781	324	203	3.20	409.2	210	545
FGFC - 27	90000	900	145	242	876	368	228	6	462	250	875
FGFC - 28	108000	800	155	265	1015	406	228	6	462	285	1570



TAPER GRID COUPLING



HRC Couplings:

- ◆ Best Suitable for engine shafts & power transmission
- ◆ Simple & Fail-safe design
- ◆ Ease of maintenance

Technical Details

- ◆ Available from 70 mm to 280 mm size
- ◆ Working temp ranges from -40°C to 85 °C
- ◆ Max torque up to 7200 Nm
- ◆ Power Rating from 0.33 kW to 726 kW

TAPER GRID COUPLING

Size	Torque (nm)	Max. speed rpm	BORE		ØA	ØB	C	G	L	M	APPROX WEIGHT KG.
			MIN	MAX							
1020	48	6000	13	30	111	39.7	47.5	3	98	47.5	2
1030	134	6000	13	36	121	49.2	47.5	3	98	47.5	2.6
1040	219	6000	13	44	128.5	57.1	50.8	3	104.6	51	3.4
1050	391	6000	13	51	147.5	66.7	60.3	3	123.6	60.5	5.4
1060	620	6000	18	57	162	76.2	63.5	3	130	63.5	7.3
1070	897	5500	18	68	173	87.3	76.2	3	155.4	76	10.4
1080	1860	4750	25	82	200	104.8	88.9	3	180.8	89	17.7
1090	3339	4000	25	95	232	123.8	98.4	3	200	98.5	25.4
1100	5676	3250	40	110	267	142	120.6	3	245.7	121	42.2
1110	8395	3000	40	120	286	160.3	127	4.5	258.5	127	54.4
1120	12401	2700	60	140	319	179.4	149.2	4.5	304.4	149	81.6
1130	18030	2400	65	170	378	217.5	161.9	6	329.8	162	122.5
1140	25948	2200	65	200	416	254	182.8	6	371.6	183	180
1150	36155	2000	100	215	476.5	269.2	182.9	6	371.8	183	230
1160	50810	1750	120	240	533.5	304.8	198.1	6	402.2	198	321
1170	67746	1600	130	280	584	355.6	215.9	6	437.8	216	448
1180	93941	1400	150	300	630	393.7	238.8	6	483.6	239	591
1190	124201	1300	150	335	685	436.9	259.1	6	524.2	260	761
1200	169365	1100	170	360	737	497.8	279.4	6	564.8	280	1021