



AN ISO 9001 : 2015
CERTIFIED COMPANY

BONNA-FLEX®

MOTION DRIVE COUPLINGS



Encoder Coupling

GS Curved Jaw Coupling



DC Coupling



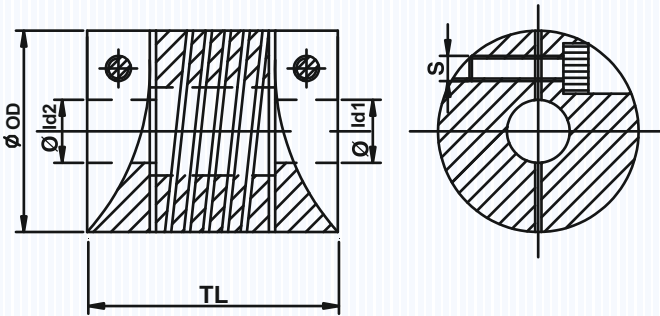
Encoder Coupling

Bonnaflex encoder shaft couplings are an innovative and reliable solution for increasing the life and maintaining the accuracy of your encoder mechanisms and other devices. Ideal for encoders this coupling is designed to satisfy today's higher performance requirements and can be used for parallel, axial or angular shaft misalignments, all while maintaining constant transmission of torque and angular velocity.

It comes with two variation as in :

- 1) Clamping hub type (AF Type)- That comes with Socket head type clamping bolts. It provides full surface grip with shaft and the chances of slipping are very less.
- 2) Set Screw Clamping type (AS Type)- That comes with set screw clamping. It gives point contact with shaft and the chances of slip are much higher. Mostly recommended for D type of shafts.

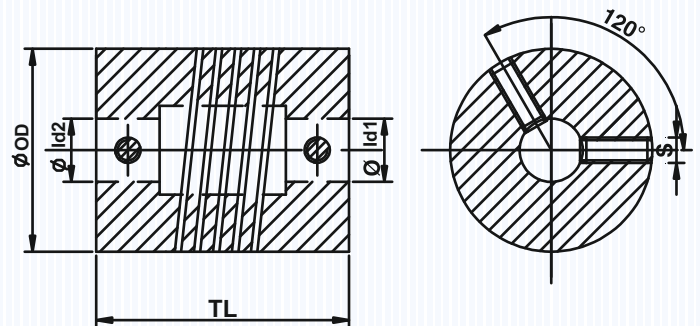
AF TYPE COUPLING



Outer Dia.	Length	Id1 & id2 H7mm	Clamping
OD	TL	Min.-Max.	Screw S
14	20	2.00-4.00	M2.5
16	24	3.00-6.00	M2.5
20	28	4.00-10.00	M3
25	32	5.00-11.00	M3
32	40	8.00-12.00	M4
35	40/50	10.00-17.00	M5
40	50	11.00-20.00	M5
50	50/60	12.00-25.00	M6

AS TYPE COUPLING

Outer Dia.	Length	Id1 & id2 H7mm	Clamping
OD	TL	Min.-Max.	Screw S
14	20	2.00-4.00	M3
16	24	3.00-8.00	M3
20	28	4.00-11.00	M4
25	32	5.00-12.70	M4
32	40	8.00-15.00	M4
35	40/50	10.00-20.00	M5
40	50	11.00-25.00	M5
50	50/60	12.00-30.00	M6



Features:

- Zero backlash design- Precision drive
- Aluminium alloy, S. S., Brass, Nylon material
- Angular offset upto 5 degrees
- parallel offset upto 0.2 mm
- Constant velocity transmission
- Torsionally Stiff coupling
- Single piece construction

Application :

- Shaft encoder
- Damper drives
- Synchronous and stepper motor drives
- Rotary position transmitter
- Potentiometers and variacs

