



AN ISO 9001 : 2015  
CERTIFIED COMPANY

**BONNA-FLEX**<sup>®</sup>

# TYRE COUPLINGS



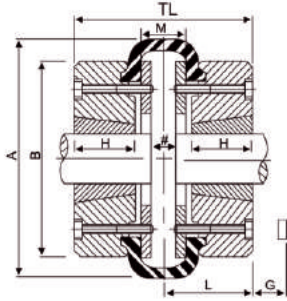
CATALOGUE NO. C2-BBCP - NO 14

**HASMUKHLAL & BROTHERS**

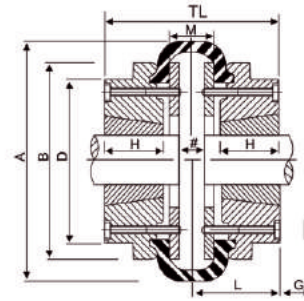




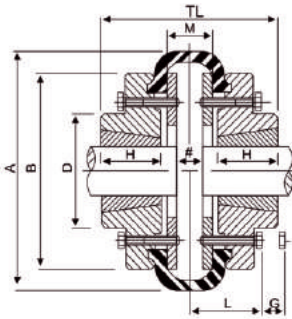
**BH TYPE**



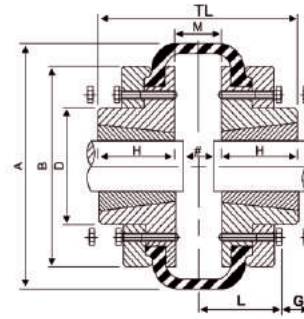
**B - 40 & 45**



**B - 50 & 60**

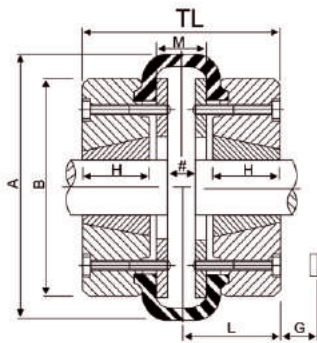


**B - 70 TO 120**

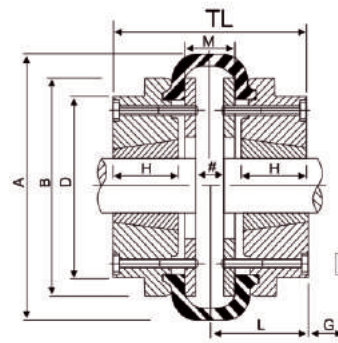


**B - 140 TO 220**

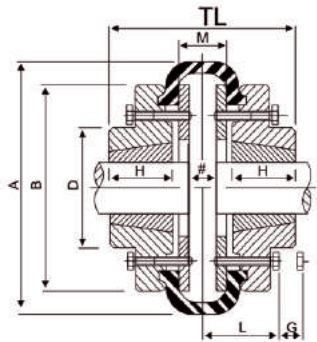
**BF TYPE**



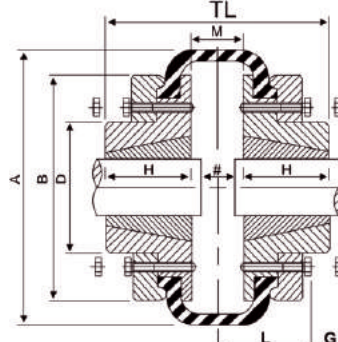
**B - 40 & 45**



**B - 50 & 60**

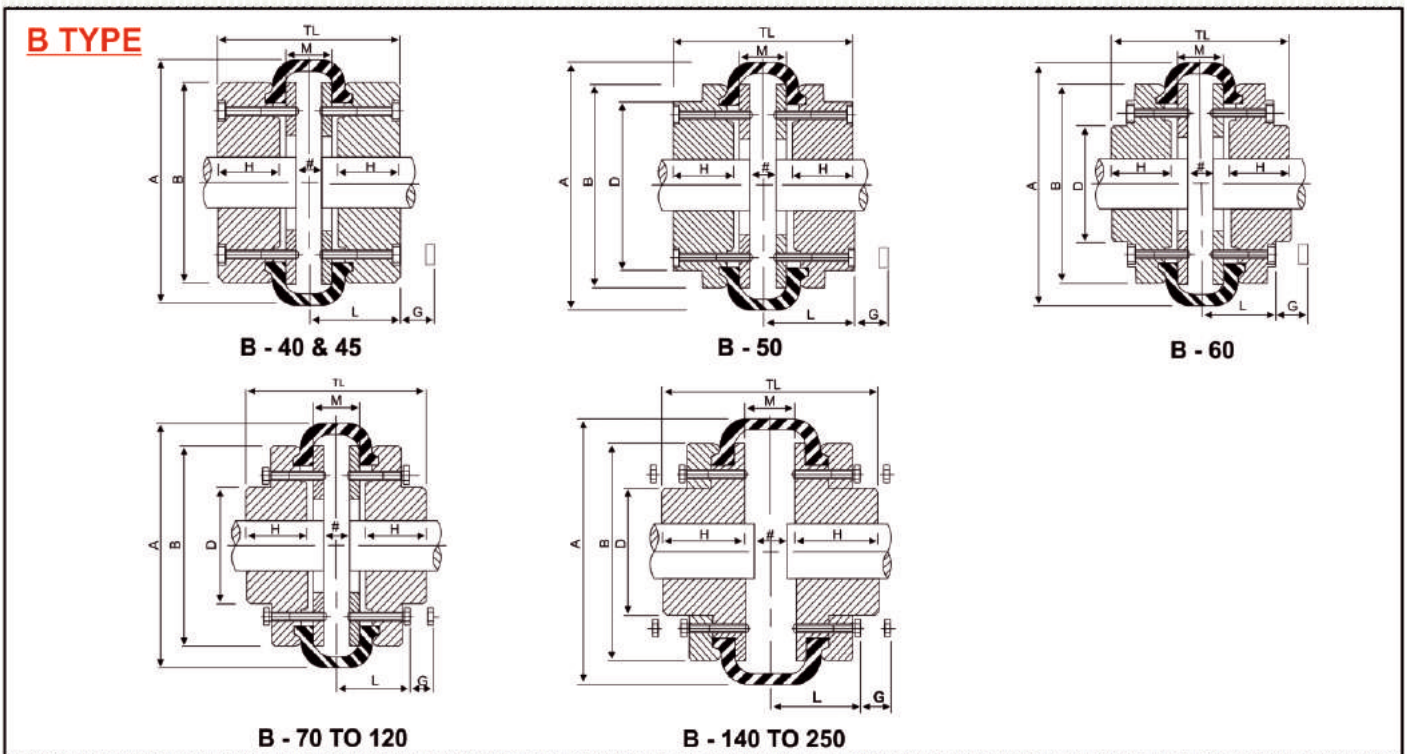


**B - 70 TO 120**



**B - 140 TO 220**





◆ **Features**

- Highly elastic, free from backlash
- Absorbs shock and dampens vibrations
- Available as through bore or with taper lock bushes
- No lubricants required

◆ **Technical Details**

- Radial Misalignment up to 6 mm and angular misalignment up to 4°, end float up to 8 mm can be compromised
- Can transmit torque up to 11600 Nm
- Bore sizes up to 190 mm

**DIMENSIONS "BF&BH" AND "B" TYPE COUPLINGS**

Size	TYPE BF & BH								TYPE B								A	B	‡	†	No. of screws per flange
	Bush No.	Max Bore	TL	D	H	L	ε J	* Approx Weight Kg	Max Bore	Min Bore	TL	D	H	L	Set Screw on key	* Approx Weight Kg					
<b>B40</b>	1008	25	67	-	22	33.5	29	1.4	30	11.00	67	-	22	33.5	M5	2.0	104.0	82	43	23	4
<b>B45</b>	1108	28	67	-	22	33.5	29	3.0	32	11.00	73	-	25	36.5	M5	2.2	120.0	94	43	23	4
<b>B50</b>	1210	32	78	79.0	25	39.0	38	3.1	38	16.00	92	79	32	46.0	M5	4.0	133.5	100	43	28	4
<b>B60</b>	1610	42	86	103.0	25	43.0	38	5.2	48	16.00	112	73	38	43.0	M6	5.0	165.0	125	43	36	5
<b>B70</b>	1610	42	92	76.0	25	50.5	38	7.4	55	19.05	132	82	45	50.5	M6	8.0	197.0	144	10	42	5
<b>B80</b>	2012	50	111	95.0	32	53.0	47	9.2	65	25.40	149	95	51	53.0	M10	12.0	211.0	167	10	47	6
<b>B85</b>	2012	50	112	103.0	32	53.5	47	12.5	70	31.75	154	103	53	53.5	M12	14.0	222.0	179	13	48	6
<b>B90</b>	2517	60	140	110.0	45	59.5	50	15.0	76	31.75	164	110	57	59.5	M12	15.0	235.0	188	13	50	6
<b>B100</b>	2517	60	148	124.0	45	61.5	50	20.0	85	31.75	178	124	60	61.5	M12	21.0	254.0	216	13	58	6
<b>B110</b>	2517	60	140	134.0	45	63.5	50	26.5	90	31.75	180	134	65	63.5	M12	28.0	279.0	233	14	50	6
<b>B120</b>	3020	75	157	152.0	51	70.0	68	35.5	102	38.10	207	152	76	70.0	M12	41.0	314.0	264	14	55	6
<b>B140</b>	3535	90	204	194.5	89	76.0	89	67.2	120	75.00	204	195	89	76.0	M20	61.0	359.0	313	14	26	8
<b>B160</b>	4040	100	220	216.0	102	78.0	110	91.0	140	75.00	220	216	102	78.0	M20	86.0	402.0	345	19	16	8
<b>B180</b>	4545	110	258	266.0	114	94.0	126	146.0	150	75.00	258	266	114	94.0	M20	141.0	470.0	398	19	30	10
<b>B200</b>	4545	110	278	266.0	114	103.0	126	182.0	150	75.00	276	266	114	103.0	M20	179.0	508.0	429	19	48	12
<b>B220</b>	5050	127	312	267.0	127	118.0	140	320.0	160	90.00	312	267	127	118.0	M20	312.0	562.0	474	20	56	12
<b>B250</b>	-	-	-	-	-	-	-	-	190	100.00	360	290	150	125.0	M20	500.0	628.0	532	25	60	12