

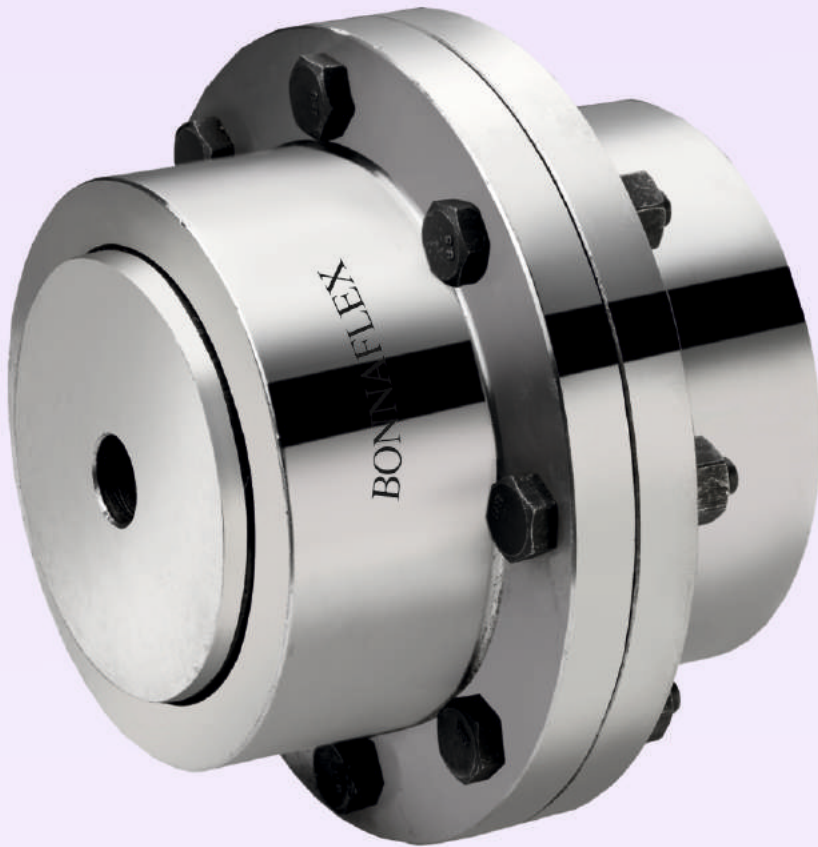


AN ISO 9001 : 2015
CERTIFIED COMPANY

BONNA-FLEX[®]

GEAR COUPLINGS

TYPE : BFG, BHG & BRG



CATALOGUE NO. C2- BCGR - NO 16

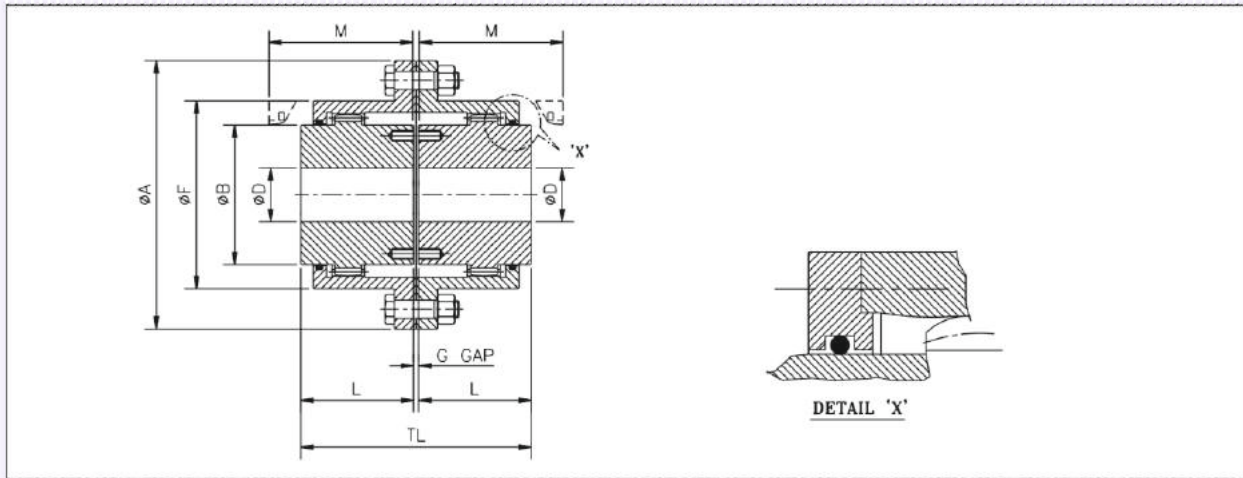
Manufacturer & Exporter :

HASMUKHLAL & BROTHERS





TYPE BFG - FULL GEAR COUPLING



◆ Full Gear Couplings:

- Excellent Close tolerance
- High power to weight ratio
- Robust Construction & No Backlash
- High Strength with high operational safety

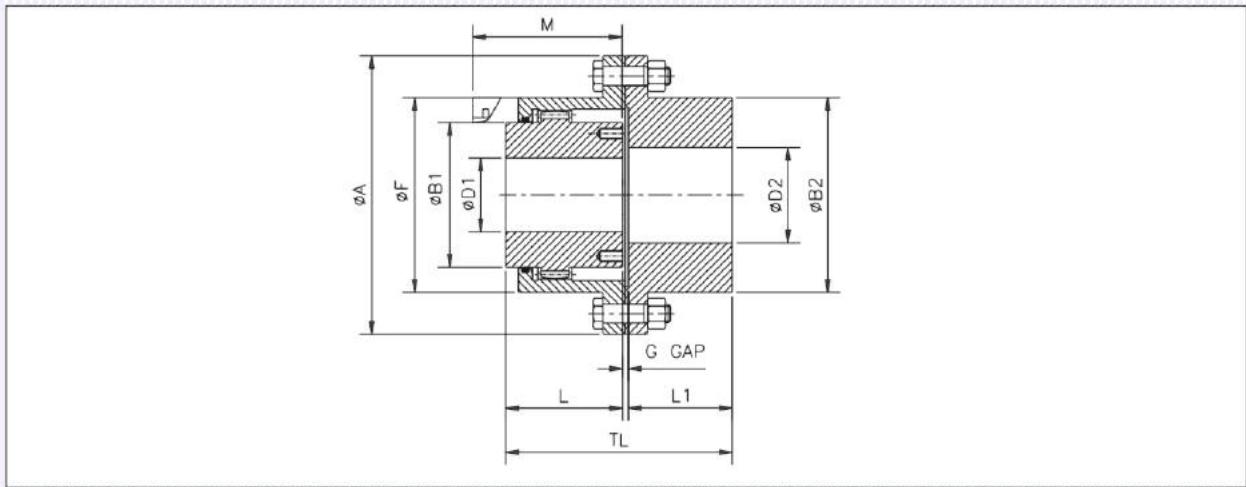
◆ Technical Details

- Seal Carrier for easy maintenance & Replacement of O Ring
- Power transmission capacity up to 10,000 kW
- Rated torque from 497 Nm to

Size	kW at 100 rpm	Rated Torque Nm	Max. rpm	Bore ØD		ØA	ØB	ØF	G	L	M	TL	#	
				PB	Max.								Wt. kg	M.I.(WR ²) kg-m ²
BFG-100	6	559	7600	13	35	120	50	75	3	45	54	93	4.1	0.006
BFG-101	12	1127	6730	14	50	170	65	110	5	55	67	115	10.6	0.029
BFG-102	29	2804	6150	20	65	185	85	125	5	70	83	145	15.4	0.046
BFG-103	53	5047	5200	30	80	220	105	150	5	85	103	175	26.0	0.110
BFG-104	100	9557	4580	40	100	250	130	175	5	105	124	215	40.0	0.213
BFG-105	152.94	14605	3950	46	115	290	155	200	10	110	136	230	60.0	0.445
BFG-106	235	22444	3550	50	125	320	175	230	10	125	152	260	84.0	0.745
BFG-107	412	39303	3270	60	145	350	205	260	10	140	174	290	113.4	1.21
BFG-108	529	50472	3015	70	165	380	230	290	10	155	187	320	158.0	2.04
BFG-109	658	62821	2650	80	190	430	250	330	10	165	196	340	210.0	3.46
BFG-110	963	91923	2330	100	230	490	310	390	10	180	216	370	290.0	5.55
BFG-111	1289	123065	2100	110	260	545	350	445	10	200	245	410	545.0	15.25
BFG-112	1723	164516	1940	150	300	590	400	490	10	240	289	490	716.0	24.30
BFG-113	2908	277694	1600	160	330	680	440	555	15	260	312	535	984.0	43.21
BFG-114	4019	383786	1500	200	370	730	500	610	15	280	341	575	1219.0	64.84
BFG-115	4812	459515	1400	230	410	780	540	660	15	320	385	655	1566.0	97.30
BFG-116	7028	671165	1200	260	455	900	625	755	20	350	423	720	2246.0	183.66
BFG-117	9997	954665	1100	300	520	1000	720	855	20	400	489	820	3260.0	338.05
BFG-118	13236	1263938	1000	320	620	1100	810	950	20	450	533	920	4680.0	600.41
BFG-119	17454	1666744	900	300	710	1250	910	1050	30	485	559	1000	6283.0	955.96



TYPE BHG - HALF GEAR COUPLING



◆ Full Gear Couplings:

- Excellent Close tolerance
- High power to weight ratio
- Robust Construction & No Backlash
- High Strength with high operational safety

◆ Technical Details

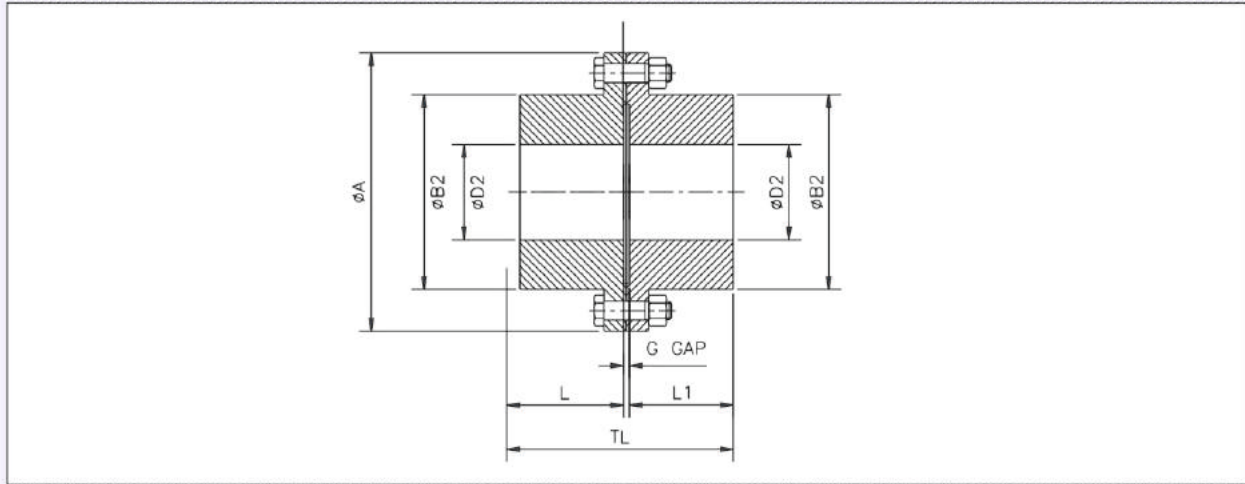
- Seal Carrier for easy maintenance & Replacement of O Ring
- Power transmission capacity up to 10,000 kW
- Rated torque from 497 Nm to

Size	kW at 100 rpm	Rated Torque Nm	Max. rpm	Bore			ØA	ØB1	ØB2	ØF	G	L	L1	M	TL	#	
				PB	Max.											Wt. kg	M.I. (WR ²) kg-m ²
					ØD1	ØD2											
BHG-100	6	559	7600	13	35	45	120	50	65	75	3	45	45	54	93	4.2	0.006
BHG-101	12	1127	6730	14	50	60	170	65	85	110	5	55	55	67	115	10.1	0.027
BHG-102	29	2804	6150	20	65	75	185	85	110	125	5	70	70	83	145	15.2	0.045
BHG-103	53	5047	5200	30	80	90	220	105	130	150	5	85	85	103	175	25.3	0.106
BHG-104	100	9557	4580	40	100	110	250	130	160	175	5	105	105	124	215	40.4	0.211
BHG-105	153	14605	3950	46	115	130	290	155	185	200	10	110	110	136	230	60.4	0.440
BHG-106	235	22444	3550	50	125	150	320	175	215	230	10	125	125	152	260	85.5	0.747
BHG-107	412	39303	3270	60	145	170	350	205	240	260	10	140	140	174	290	115.0	1.20
BHG-108	529	50472	3015	70	165	200	380	230	285	290	10	155	155	187	320	164.3	2.10
BHG-109	658	62821	2650	80	190	220	430	250	315	330	10	165	165	196	340	216.7	3.52
BHG-110	963	91923	2330	100	230	260	490	310	370	390	10	180	180	216	370	317.0	6.86





TYPE BRG - RIGID COUPLING



◆ Full Gear Couplings:

- Excellent Close tolerance
- High power to weight ratio
- Robust Construction & No Backlash
- High Strength with high operational safety

◆ Technical Details

- Seal Carrier for easy maintenance & Replacement of O Ring
- Power transmission capacity up to 10,000 kW
- Rated torque from 497 Nm to

COUPLING SIZE	FINISH BORE		ØA	ØB2	G	L	L1	TL	WEIGHT KG.	MAX RPM
	MIN.	MAX. ØD2								
BRC 100	10	50	120	50	3	45	45	93	4	8000
BRC 101	20	60	170	65	5	55	55	115	11	6300
BRC 102	30	75	185	85	5	70	70	145	15	5000
BRC 103	40	90	220	105	5	85	85	175	26	4000
BRC 104	50	110	250	130	5	105	105	215	40	3350
BRC 105	60	130	290	155	10	110	110	230	62	2800
BRC 106	75	150	320	175	10	125	125	260	86	2800
BRC 107	90	170	350	205	10	140	140	290	110	2100
BRC 108	105	200	380	230	10	155	155	320	140	1900
BRC 109	125	220	430	250	10	165	165	340	200	1700